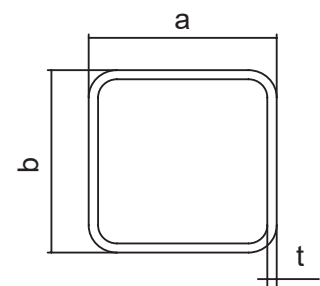
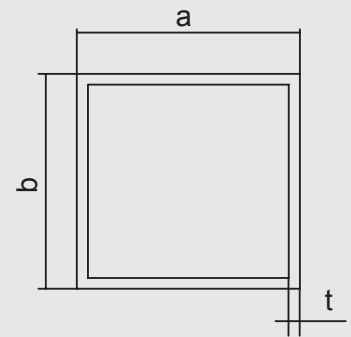


SQUARE TUBES

CODE	SIZE (A*B*T)	LGTH	AP	FINISH	MASS	GROUP ID
SQ1616T12	16 x 16 x 1.2mm	6.5m	100	M/F	0.249	18401
SQ1616T16	16 x 16 x 1.6mm	6.5m	100	M/F	0.249	18401
SQ1919T16	19 x 19 x 1.6mm	6.5m	100	M/F	0.301	18401
SQ2525T12	25 x 25 x 1.2mm	6.5m	100	M/F	0.308	18401
SQ2525T16	25 x 25 x 1.6mm	6.5m	100	M/F	0.404	18401
SQ2525T30	25 x 25 x 3.0mm	6.5m	100	M/F	0.71	18401
SQ3232T20	32 x 32 x 2.0mm	6.5m	128	M/F	0.648	18401
SQ4040T16	40 x 40 x 1.6mm	6.5m	160	M/F	0.664	18401
SQ4040T25	40 x 40 x 2.5mm	6.5m	160	M/F	1.013	18401
SQ4040T30	40 x 40 x 3.0mm	6.5m	160	M/F	1.199	18401
SQ4545T16	45 x 45 x 1.6mm	6.5m	180	M/F CL/ANOD	0.751	18401
SQ5050T15	50 x 50 x 1.6mm	6.5m	200	M/F	0.786	18401
SQ5050T25	50 x 50 x 2.5mm	6.5m	200	M/F CL/ANOD	1.283	18401
SQ5050T30	50 x 50 x 3.0mm	6.5m	200	M/F CL/ANOD	1.523	18401
SR1919T12	19 x 19 x 1.2mm	6.5m	100	M/F	0.231	18401
SR2525T30	25 x 25 x 3mm	6.5m	100	M/F	0.713	18401
SR381254	38.1 x 25.4 x 2.54mm	6.5m	124	M/F	0.802	18401
SR4040T16	40 x 40 x 1.6mm	6.5m	157	M/F	0.65	18401
SR5050T20	50 x 50 x 2.0mm	6.5m	189	M/F	0.986	18401
SR5050T30	50 x 50 x 3.0mm	6.5m	190	M/F	1.466	18401



• Please check with your local branch for stock availability

